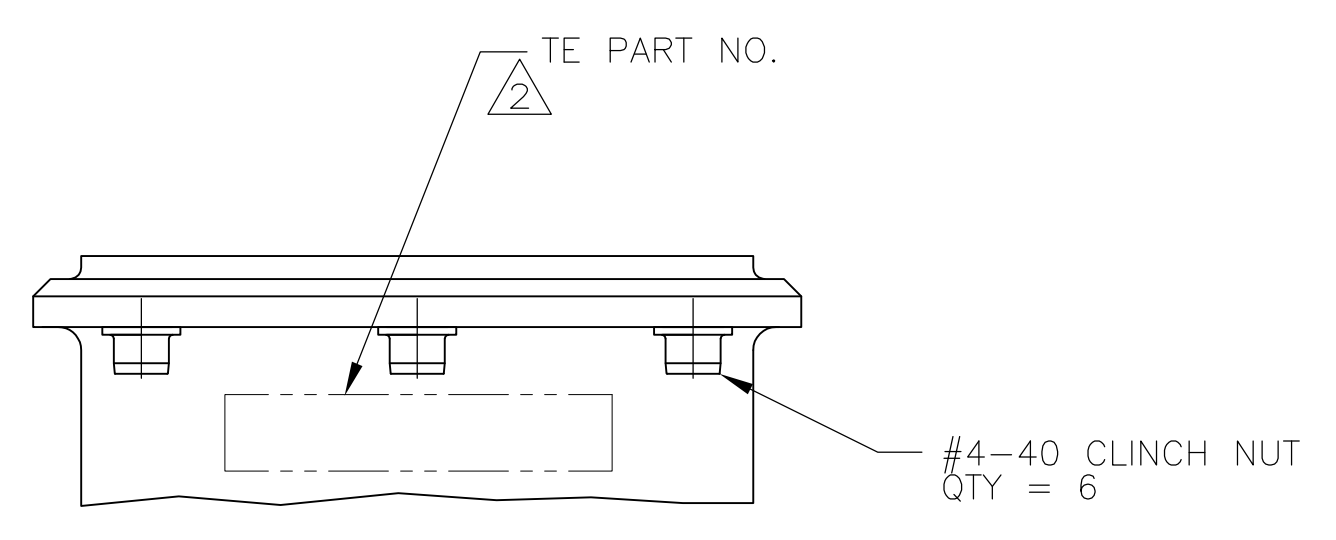
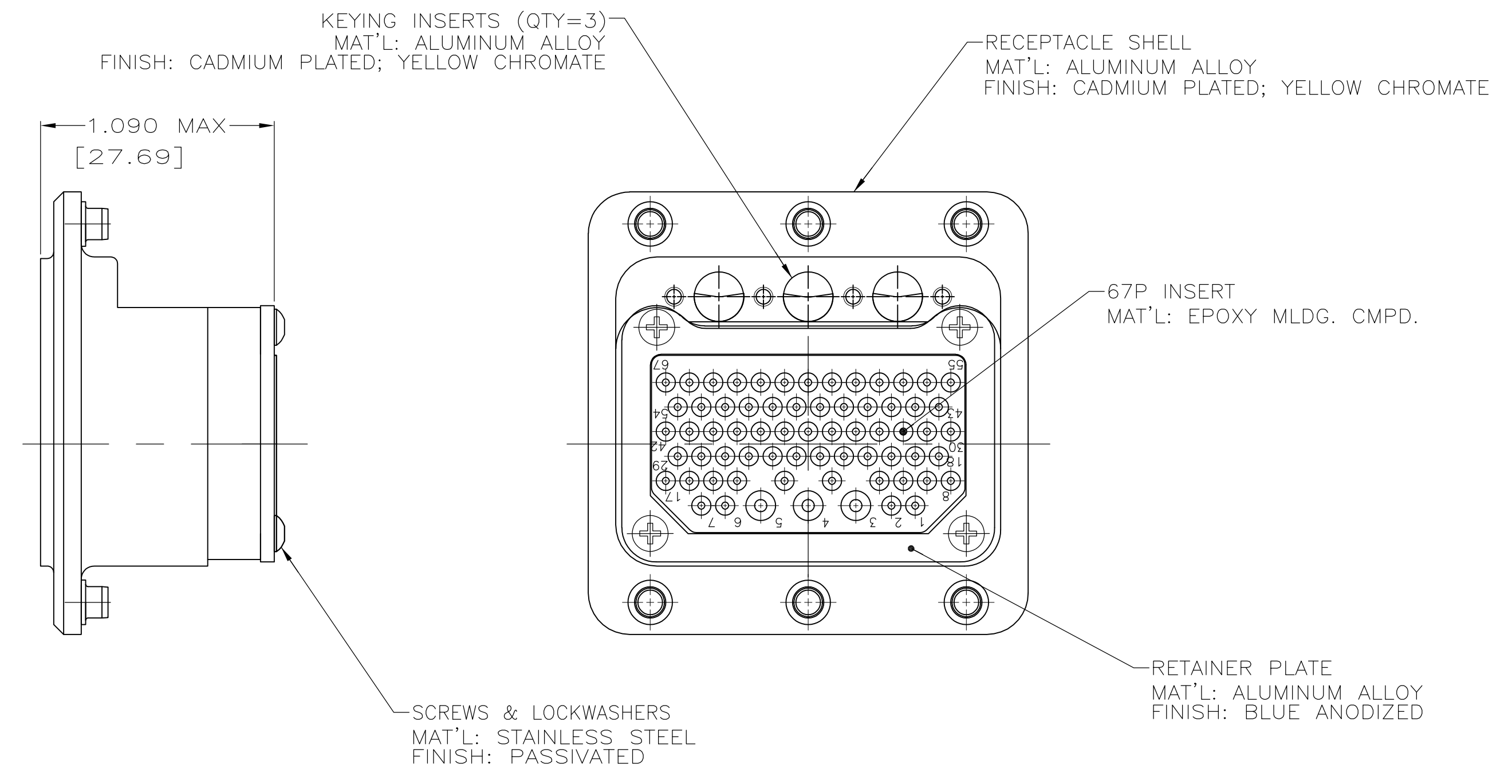
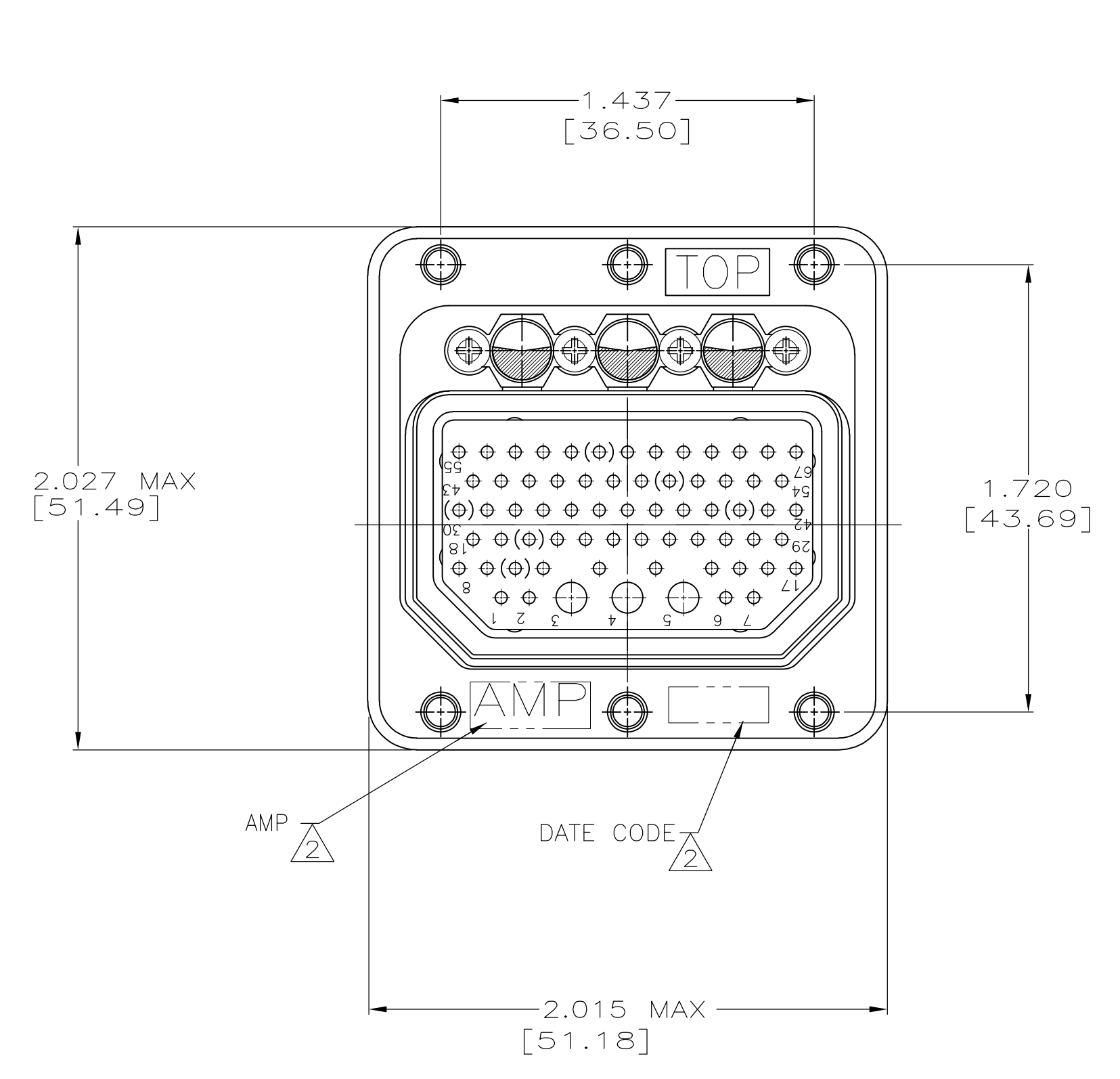


LOC		DIST		REVISIONS			
P	LTR	DESCRIPTION	DATE	DMN	APVD		
C		REVISED PER ECO-15-011840	17NOV15	RS	CT		



- KEYING ASSEMBLED IN POSITION 01.
- △ AMP, TE PART NO. AND DATE CODE MARKED IN AREA SHOWN.

OBSOLETE	1757249-1
	PART NUMBER

THIS DRAWING IS A CONTROLLED DOCUMENT.		DMN C.C.THOMAS 12-10-04	STE TE Connectivity	
DIMENSIONS: INCHES/mm		CHK LARRY OH 12-10-04	NAME RECEPTACLE ASSY,ARINC 404 RM1R67P-1801 (201)	
TOLERANCES UNLESS OTHERWISE SPECIFIED: 0. PLC ± - 1. PLC ± - 2. PLC ± - 3. PLC ± .005 [0.13] 4. PLC ± - ANGLES ± -		APVD LARRY OH 12-10-04	PRODUCT SPEC	
MATERIAL SEE CALLOUTS		FINISH SEE CALLOUTS	APPLICATION SPEC	RESTRICTED TO
WEIGHT		SIZE A1	CAGE CODE 00779	DRAWING NO. 1757249
CUSTOMER DRAWING		SCALE 2:1	SHEET 1 OF 1	REV C