

4

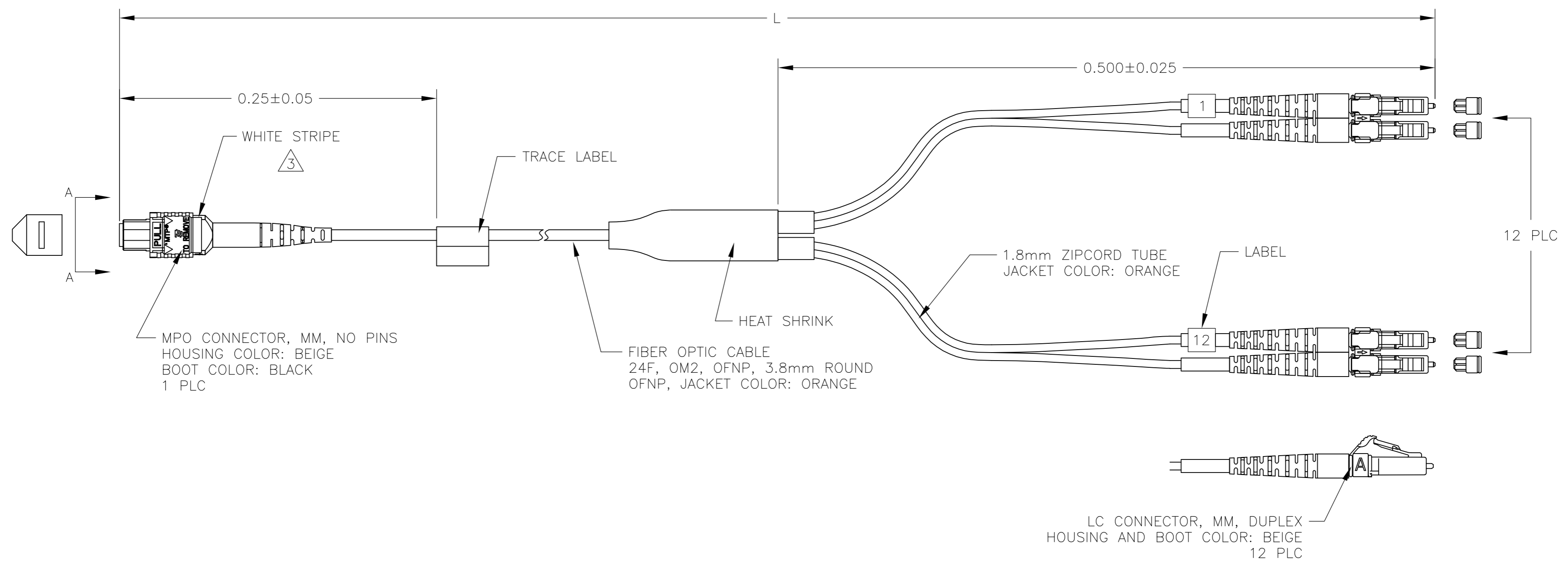
3

2

1

THIS DRAWING IS UNPUBLISHED. RELEASED FOR PUBLICATION
 © COPYRIGHT - By - ALL RIGHTS RESERVED.

| LOC | DIST | REVISIONS | | | |
|-----|------|---------------|-----------|-----|------|
| P | LTR | DESCRIPTION | DATE | DWN | APVD |
| HG | 17 | | | | |
| | C | ECR-13-018961 | 09DEC2013 | HZ | RZ |



MPO CONNECTOR, MM, NO PINS
 HOUSING COLOR: BEIGE
 BOOT COLOR: BLACK
 1 PLC

FIBER OPTIC CABLE
 24F, OM2, OFNP, 3.8mm ROUND
 OFNP, JACKET COLOR: ORANGE

1.8mm ZIPCORDER TUBE
 JACKET COLOR: ORANGE

LC CONNECTOR, MM, DUPLEX
 HOUSING AND BOOT COLOR: BEIGE
 12 PLC

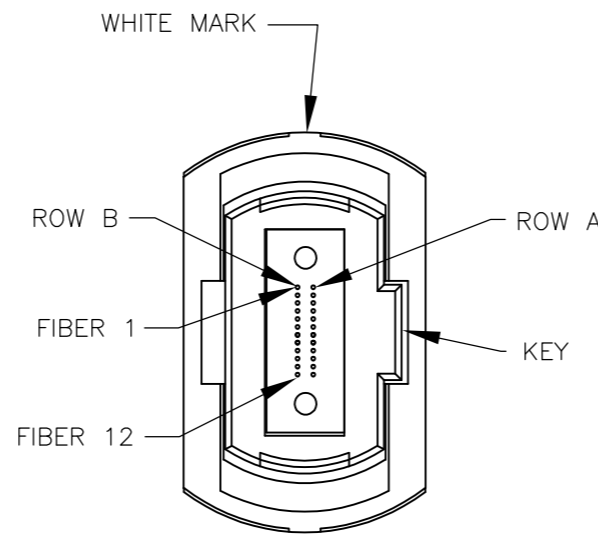
2148040

| | | | | |
|---|--|------------------------------------|--|--------------------|
| THIS DRAWING IS A CONTROLLED DOCUMENT. | | DWN ZHANG JINQIANG 29AUG2011 | STE TE Connectivity | |
| | | CHK PHILIP LIU 29AUG2011 | | |
| DIMENSIONS: METERS | | APVD RICHARD ZHAO 29AUG2011 | NAME CABLE ASSEMBLY, FIBER OPTIC, OM2 CXP BREAKOUT, OFNP, 24F, 3.8mm ROUND CABLE MPO, NO PINS TO 12 LC DUPLEX | |
| TOLERANCES, UNLESS OTHERWISE SPECIFIED: | | PRODUCT SPEC | RESTRICTED TO | |
| 0 PLC ± - | | APPLICATION SPEC | SIZE A2 | CAGE CODE 00779 |
| 1 PLC ± - | | | DRAWING NO 2148040 | |
| 2 PLC ± - | | | SCALE NTS | |
| 3 PLC ± - | | | SHEET 1 of 2 | |
| 4 PLC ± - | | | REV C | |
| ANGLES ± - | | WEIGHT | | |
| FINISH | | CUSTOMER DRAWING | | |

THIS DRAWING IS UNPUBLISHED. RELEASED FOR PUBLICATION
 © COPYRIGHT - By - ALL RIGHTS RESERVED.

| LOC | | DIST | | REVISIONS | | | |
|-----|-----|-------------|------|-----------|------|--|--|
| P | LTR | DESCRIPTION | DATE | DWN | APVD | | |
| HG | 17 | SEE SHEET 1 | - | - | - | | |

| PART NUMBER | L | | MPO MAX IL (dB) Δ ₁ | LC MAX IL (dB) Δ ₁ |
|-------------|---------|--------|---------------------------------------|--------------------------------------|
| | MAX | MIN | | |
| 2148040-1 | 1.050 | 0.950 | 1.00 | 0.30 |
| 2148040-2 | 2.050 | 1.950 | 1.00 | 0.30 |
| 2148040-3 | 3.050 | 2.950 | 1.00 | 0.30 |
| 2148040-4 | 4.080 | 3.920 | 1.01 | 0.31 |
| 2148040-5 | 5.080 | 4.920 | 1.01 | 0.31 |
| 2148040-6 | 6.080 | 5.920 | 1.01 | 0.31 |
| 2148040-7 | 7.080 | 6.920 | 1.01 | 0.31 |
| 2148040-8 | 8.080 | 7.920 | 1.01 | 0.31 |
| 2148040-9 | 9.150 | 8.850 | 1.01 | 0.31 |
| 1-2148040-0 | 10.150 | 9.850 | 1.02 | 0.32 |
| 1-2148040-1 | 11.150 | 10.850 | 1.02 | 0.32 |
| 1-2148040-2 | 12.150 | 11.850 | 1.02 | 0.32 |
| 1-2148040-3 | 13.150 | 12.850 | 1.02 | 0.32 |
| 1-2148040-4 | 14.150 | 13.850 | 1.02 | 0.32 |
| 1-2148040-5 | 15.150 | 14.850 | 1.02 | 0.32 |
| 1-2148040-6 | 16.160 | 15.840 | 1.02 | 0.32 |
| 1-2148040-7 | 17.170 | 16.830 | 1.03 | 0.33 |
| 1-2148040-8 | 18.180 | 17.820 | 1.03 | 0.33 |
| 1-2148040-9 | 19.190 | 18.810 | 1.03 | 0.33 |
| 2-2148040-0 | 20.200 | 19.800 | 1.03 | 0.33 |
| 2-2148040-1 | 21.210 | 20.790 | 1.03 | 0.33 |
| 2-2148040-2 | 22.220 | 21.780 | 1.03 | 0.33 |
| 2-2148040-3 | 23.230 | 22.770 | 1.03 | 0.33 |
| 2-2148040-4 | 24.240 | 23.760 | 1.04 | 0.34 |
| 2-2148040-5 | 25.250 | 24.750 | 1.04 | 0.34 |
| 2-2148040-6 | 26.260 | 25.740 | 1.04 | 0.34 |
| 2-2148040-7 | 27.270 | 26.730 | 1.04 | 0.34 |
| 2-2148040-8 | 28.280 | 27.720 | 1.04 | 0.34 |
| 2-2148040-9 | 29.290 | 28.710 | 1.04 | 0.34 |
| 3-2148040-0 | 30.300 | 29.700 | 1.05 | 0.35 |
| 3-2148040-1 | 31.310 | 30.690 | 1.05 | 0.35 |
| 3-2148040-2 | 32.320 | 31.680 | 1.05 | 0.35 |
| 3-2148040-3 | 33.330 | 32.670 | 1.05 | 0.35 |
| 3-2148040-4 | 34.340 | 33.660 | 1.05 | 0.35 |
| 3-2148040-5 | 35.350 | 34.650 | 1.05 | 0.35 |
| 3-2148040-6 | 36.360 | 35.640 | 1.05 | 0.35 |
| 3-2148040-7 | 37.370 | 36.630 | 1.06 | 0.36 |
| 3-2148040-8 | 38.380 | 37.620 | 1.06 | 0.36 |
| 3-2148040-9 | 39.390 | 38.610 | 1.06 | 0.36 |
| 4-2148040-0 | 40.400 | 39.600 | 1.06 | 0.36 |
| 4-2148040-1 | 41.410 | 40.590 | 1.06 | 0.36 |
| 4-2148040-2 | 42.420 | 41.580 | 1.06 | 0.36 |
| 4-2148040-3 | 43.430 | 42.570 | 1.06 | 0.36 |
| 4-2148040-4 | 44.440 | 43.560 | 1.07 | 0.37 |
| 4-2148040-5 | 45.450 | 44.550 | 1.07 | 0.37 |
| 4-2148040-6 | 46.460 | 45.540 | 1.07 | 0.37 |
| 4-2148040-7 | 47.470 | 46.530 | 1.07 | 0.37 |
| 4-2148040-8 | 48.480 | 47.520 | 1.07 | 0.37 |
| 4-2148040-9 | 49.490 | 48.510 | 1.07 | 0.37 |
| 5-2148040-0 | 50.500 | 49.500 | 1.08 | 0.38 |
| 5-2148040-5 | 55.550 | 54.450 | 1.08 | 0.38 |
| 6-2148040-0 | 60.600 | 59.400 | 1.09 | 0.39 |
| 6-2148040-5 | 65.650 | 64.350 | 1.10 | 0.40 |
| 7-2148040-0 | 70.700 | 69.300 | 1.11 | 0.41 |
| 7-2148040-5 | 75.750 | 74.250 | 1.11 | 0.41 |
| 8-2148040-0 | 80.800 | 79.200 | 1.12 | 0.42 |
| 8-2148040-5 | 86.000 | 84.000 | 1.13 | 0.43 |
| 9-2148040-0 | 91.350 | 88.650 | 1.14 | 0.44 |
| 9-2148040-5 | 96.425 | 94.575 | 1.14 | 0.44 |
| 9-2148040-9 | 101.500 | 98.500 | 1.15 | 0.45 |



VIEW A-A
NOT TO SCALE

| MPO A ROW | FIBER | FIBER COLOR | LC DPX |
|-----------|-------|-------------|--------|
| A | 1 | BLUE | 1B |
| A | 2 | ORANGE | 2B |
| A | 3 | GREEN | 3B |
| A | 4 | BROWN | 4B |
| A | 5 | SLATE | 5B |
| A | 6 | WHITE | 6B |
| A | 7 | RED | 7B |
| A | 8 | BLACK | 8B |
| A | 9 | YELLOW | 9B |
| A | 10 | VIOLET | 10B |
| A | 11 | ROSE | 11B |
| A | 12 | AQUA | 12B |
| B | 1 | BLUE | 1A |
| B | 2 | ORANGE | 2A |
| B | 3 | GREEN | 3A |
| B | 4 | BROWN | 4A |
| B | 5 | SLATE | 5A |
| B | 6 | WHITE | 6A |
| B | 7 | RED | 7A |
| B | 8 | BLACK | 8A |
| B | 9 | YELLOW | 9A |
| B | 10 | VIOLET | 10A |
| B | 11 | ROSE | 11A |
| B | 12 | AQUA | 12A |

MPO CONNECTOR FIBER PATH

- 1. SEE TABLE FOR MPO&LC IL @ 1300nm
- 2. PLACE A COPY OF TEST DATA INSIDE OR WITH THE UNIT PACKAGE.
- 3. WHITE MARK ON CONNECTOR HOUSING INDICATES FIBER 1 SIDE.
- 4. PRODUCT AND PROCESSING MUST MEET REQUIREMENTS OF TE CONNECTIVITY STANDARD TEC-138-702.

| | | | | |
|--|--|------------------------------------|--|---------------|
| THIS DRAWING IS A CONTROLLED DOCUMENT. | | DWN ZHANG JINQIANG 29AUG2011 | TE Connectivity | |
| DIMENSIONS: METERS | | CHK PHILIP LIU 29AUG2011 | | |
| TOLERANCES UNLESS OTHERWISE SPECIFIED: | | APVD RICHARD ZHAO 29AUG2011 | NAME CABLE ASSEMBLY, FIBER OPTIC, OM2 | |
| 0 PLC ± - | | PRODUCT SPEC | CXP BREAKOUT, OFNP, 24F, 3.8mm ROUND CABLE | |
| 1 PLC ± - | | APPLICATION SPEC | MPO, NO PINS TO 12 LC DUPLEX | |
| 2 PLC ± - | | WEIGHT | SIZE | RESTRICTED TO |
| 3 PLC ± - | | FINISH | CAGE CODE | DRAWING NO |
| 4 PLC ± - | | | 00779 | 2148040 |
| ANGLES ± - | | CUSTOMER DRAWING | SCALE | SHEET |
| FINISH | | | NTS | 2 OF 2 |
| | | | | REV C |