



## Features

- Multiple applications: parallel, series, dual-inductor and transformer
- Magnetically shielded, low radiation
- Inductance range: 0.47 to 4000  $\mu$ H
- Heating current up to 17.6 A
- AEC-Q200 qualified
- RoHS compliant\* and halogen free\*\*

## Applications

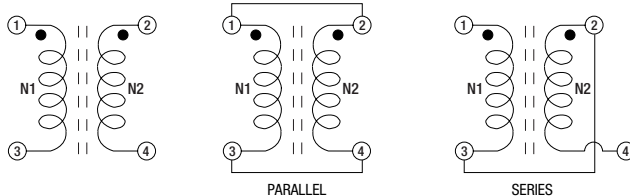
- Automotive systems:
  - Driver assistant
  - Information
  - Entertainment
  - Lighting
- DC/DC converters
- Power supplies
- SEPIC - DC/DC converters

# SRF1260A Series - Dual-Winding Shielded Power Inductors

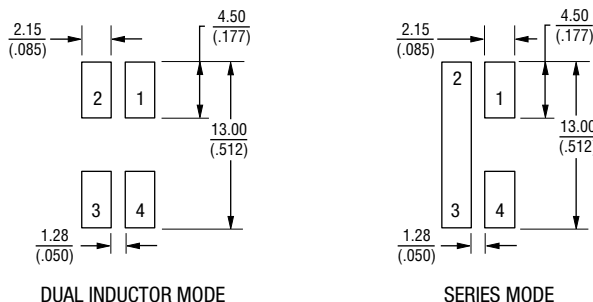
### Electrical Specifications @ 25 °C

Bourns Part No.	Parallel Rating					Series Rating				
	Inductance @ 100 KHz/ 0.25 V L ( $\mu$ H)	Tol. (%)	DCR ( $\Omega$ ) Max.	Irms (A)	Isat (A)	Inductance @ 100 KHz/ 0.25 V L ( $\mu$ H)	Tol. (%)	DCR ( $\Omega$ ) Max.	Irms (A)	Isat (A)
SRF1260A-R47Y	0.47	$\pm$ 30	0.0053	17.6	33	1.88	$\pm$ 30	0.0212	8.8	16.5
SRF1260A-1R0Y	1.0	$\pm$ 30	0.0062	15	23.6	4	$\pm$ 30	0.026	7.51	11.8
SRF1260A-1R5Y	1.5	$\pm$ 30	0.0073	13.8	18.3	6	$\pm$ 30	0.0302	6.89	9.15
SRF1260A-2R2Y	2.2	$\pm$ 30	0.0085	10.9	15	8.8	$\pm$ 30	0.0333	5.46	7.5
SRF1260A-3R3Y	3.3	$\pm$ 30	0.0101	9.26	12.7	13.2	$\pm$ 30	0.0372	4.63	6.35
SRF1260A-4R7Y	4.7	$\pm$ 30	0.0137	7.18	9.71	18.8	$\pm$ 30	0.0479	3.59	4.86
SRF1260A-6R8Y	6.8	$\pm$ 30	0.0186	6.64	8.68	27.2	$\pm$ 30	0.0672	3.32	4.34
SRF1260A-8R2Y	8.2	$\pm$ 30	0.0194	5.54	7.86	32.8	$\pm$ 30	0.0737	2.77	3.93
SRF1260A-100M	10	$\pm$ 20	0.0246	5.35	7.17	40	$\pm$ 20	0.0934	2.67	3.59
SRF1260A-150M	15	$\pm$ 20	0.0329	4.27	5.69	60	$\pm$ 20	0.125	2.13	2.85
SRF1260A-220M	22	$\pm$ 20	0.0451	3.7	4.71	88	$\pm$ 20	0.172	1.84	2.36
SRF1260A-330M	33	$\pm$ 20	0.0618	3.28	3.84	132	$\pm$ 20	0.256	1.64	1.92
SRF1260A-470M	47	$\pm$ 20	0.086	2.71	3.24	188	$\pm$ 20	0.34	1.35	1.62
SRF1260A-680M	68	$\pm$ 20	0.117	2.22	2.7	272	$\pm$ 20	0.444	1.11	1.35
SRF1260A-820M	82	$\pm$ 20	0.15	2.05	2.39	328	$\pm$ 20	0.568	1.03	1.2
SRF1260A-101M	100	$\pm$ 20	0.171	1.78	2.2	400	$\pm$ 20	0.656	0.892	1.1
SRF1260A-151M	150	$\pm$ 20	0.254	1.48	1.81	600	$\pm$ 20	0.972	0.739	0.905
SRF1260A-221M	220	$\pm$ 20	0.354	1.19	1.51	880	$\pm$ 20	1.416	0.594	0.755
SRF1260A-331M	330	$\pm$ 20	0.574	1.06	1.22	1320	$\pm$ 20	2.29	0.53	0.61
SRF1260A-471M	470	$\pm$ 20	0.83	0.87	1.02	1880	$\pm$ 20	3.197	0.434	0.51
SRF1260A-681M	680	$\pm$ 20	1.212	0.7	0.85	2720	$\pm$ 20	4.635	0.35	0.425
SRF1260A-821M	820	$\pm$ 20	1.46	0.6	0.77	3280	$\pm$ 20	5.363	0.301	0.385
SRF1260A-102M	1000	$\pm$ 20	1.854	0.57	0.7	4000	$\pm$ 20	6.782	0.283	0.35

### Electrical Schematics



### Recommended Layout



### General Specifications

Operating Temperature .....-40 °C to +125 °C  
 (Temperature rise included)  
 Storage Temperature .....-40 °C to +125 °C  
 Resistance to Soldering Heat .....+245 °C for 10 sec.  
 Temperature Rise .....40 °C typ. at rated I rms  
 Inductance Drop .....30 % typ. at I sat

### Materials

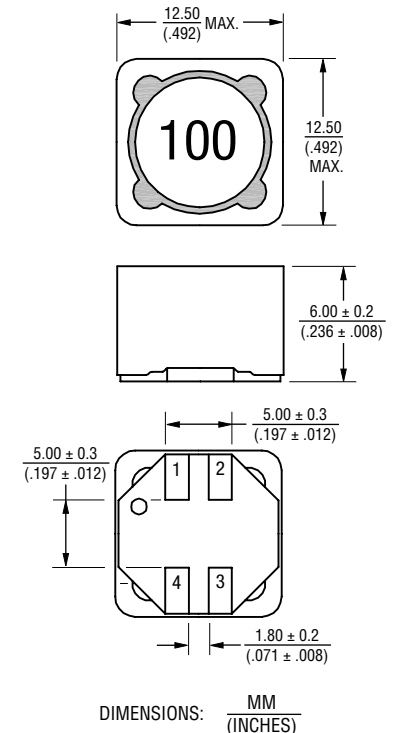
Core .....Ferrite  
 Wire .....Enameled copper  
 Terminal Finish .....Sn  
 Packaging .....400 pcs. per reel

### How to Order

#### SRF1260A - 100M

Model \_\_\_\_\_  
 Value Code (see table) \_\_\_\_\_

### Product Dimensions



\* RoHS Directive 2002/95/EC Jan. 27, 2003 including annex and RoHS Recast 2011/65/EU June 8, 2011.

\*\* Bourns follows the prevailing definition of "halogen free" in the industry. Bourns considers a product to be "halogen free" if (a) the Bromine (Br) content is 900 ppm or less; (b) the Chlorine (Cl) content is 900 ppm or less; and (c) the total Bromine (Br) and Chlorine (Cl) content is 1500 ppm or less.

Specifications are subject to change without notice.

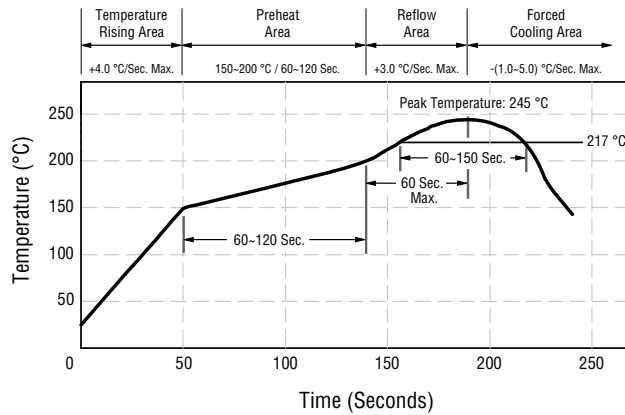
The device characteristics and parameters in this data sheet can and do vary in different applications and actual device performance may vary over time. Users should verify actual device performance in their specific applications.

# SRF1260A Series - Dual-Winding Shielded Power Inductors

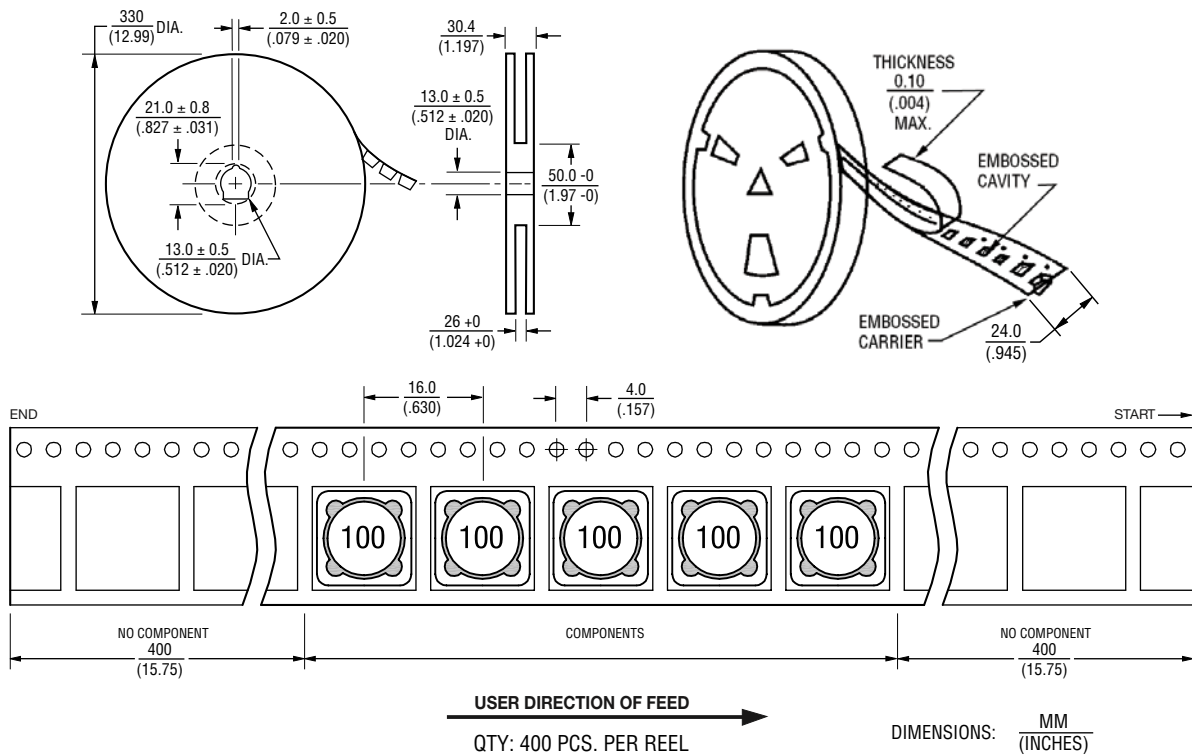


## Soldering Profile

Peak Temperature: 245 °C max.  
 Max. Peak Temperature -5 °C: 30 sec. max.  
 Max. Time Above 217 °C: 60~150 sec. max.



## Packaging Specifications



REV. 11/16

Specifications are subject to change without notice.  
 The device characteristics and parameters in this data sheet can and do vary in different applications and actual device performance may vary over time.  
 Users should verify actual device performance in their specific applications.